



# MANUAL PRESS BX SERIES



## Manual – foot operated pressing machines for ironing jackets, over-coats, pants etc.

Head with steaming. Buck with vacuum and steaming.

Adjustable pressing pressure. Lower padding of 5 layers with pure silicon foam.

Various forms are available:

CO-90 - Universal - length 117 cm

CO-49 - Universal long - length 124 cm

CO-5 - Universal short - length 107cm - 42"

1104 - Combined, universal and ironing of pants legs

Series CRP - For ironing shirts, smocks and doctor's suit

CLP – collar and cuffs

E-30 - Single legger

B-99 - Trouser top pressing

Special forms upon request

Available with or without built-in electric steam generator meeting PED

standards - capacity 24.5 litres - 12.15 or 18kw - and high-pressure

vacuum motor 0.35KW - 0.5HP.

### Options:

- Stainless steel head heated with steam or electricity for ironing doctor's suite or leather
- Anti-shine plate on head in PTFE-aluminium
- Condensation separator unit with electric steam or steam iron or temperature with high-precision electronic display (see catalogue of irons)
- Air-water spray gun



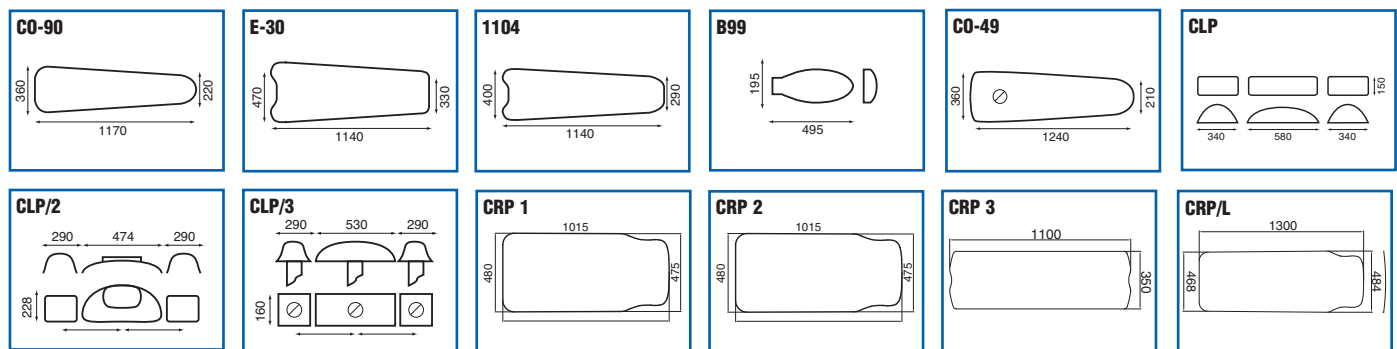
Made in Italy with Italian Fashion Mind



## PRESSING MACHINE TECHNICAL SPECIFICATIONS

PARAMETER		DESCRIPTION
Voltage	-	230 V/1/50-60 Hz 400 V/3/50-60 Hz
Boiler capacity BOI (optional)	Lt.	24.5
Vacuum power VA (optional)	Kw	0.55
Boiler resistance BOI	Kw	12 or 15 or 18
Steam pressure	Bar	Max 5.5
Weight of machine	Kg	220 + 350
OVERALL DIMENSIONS		
Width	cm	125 + 170
Depth	cm	120 + 135
Height	cm	140 + 180

## PRESSES BUCKS (MM)



**ROTONDI group Srl**  
Via Fratelli Rosselli, 14/16  
20019 Settimo Milanese (Milano) - Italia  
Tel. (+39) 02.335.01.224 - Fax (+39) 02.335.01.329  
E-mail: [rotondi@rotondigroup.it](mailto:rotondi@rotondigroup.it)  
[www.rotondigroup.com](http://www.rotondigroup.com)

Agente: